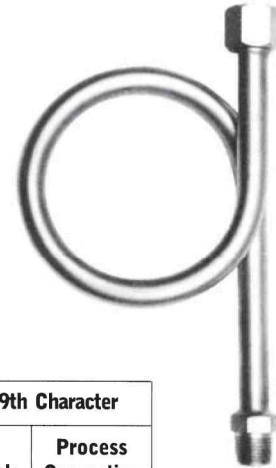


Syphon tube Model : A030

WISE®

Service intended

It is used for protecting the pressure gauge from the effect of hot process media like steam and also reducing the effect of rapid pressure surges.



ACCESSORIES FOR PRESSURE GAUGE

Ordering information

BASE MODEL - 1st thru 4th characters
A030 : SYPHON TUBE

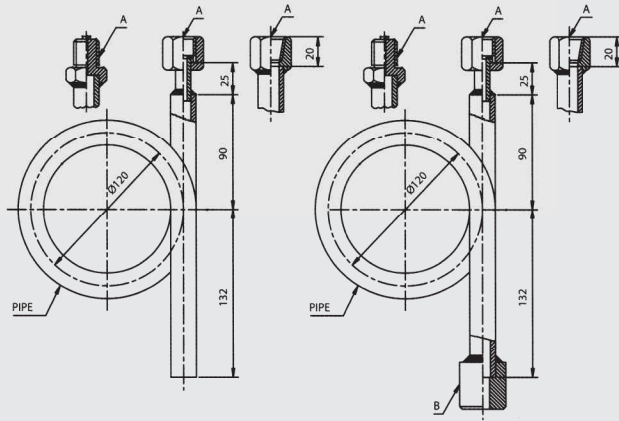
5th Character		6th Character		7th Character		8th Character		9th Character	
Code	Type	Code	Material	Code	Gauge Connection Size	Code	Gauge Connection Type	Code	Process Connection Size
B	Winding	B	S25C	0	1/4"	A	PF(F)	B	1/4"
C	Pig Tail	C	304SS	1	3/8"	B	PT(F)	C	3/8"
		D	316SS	2	1/2"	C	NPT(F)	D	1/2"
		F	316LSS	3	3/4"	H	NPS(F)	E	3/4"
		E	321SS					F	1"
		H	HAST-C	6	1"			Q	Flange
		I	INCOLOY	800					
		Z	Other	9	Other	Z	Other	Z	Other

10th Character		11th Character		12th Character		13th thru 15th Characters	
Code	Process Connection Type	Code	Flange Size	Code	Flange Rating	Code	Pipe Schedule
C	NPT(F)	A	N/A	A	N/A	000	3/8" SCH40(17.3 ϕ \times 2.3t)
G	PF(M)	D	1/2"(15A)	B	ANSI 150# RF	100	3/8" SCH80(17.3 ϕ \times 3.2t)
H	PT(M)	E	3/4"(20A)	C	ANSI 150# RFSF	200	1/2" SCH40(21.7 ϕ \times 2.8t)
J	NPT(M)	J	2" (50A)	D	ANSI 300# RF	300	1/2" SCH80(21.7 ϕ \times 3.7t)
M	S.W(F)	F	1" (25A)	E	ANSI 300# FFSF	400	3/4" SCH40(27.2 ϕ \times 2.9t)
N	S.W(M)	G	1 1/4"(32A)	F	ANSI 600# RF	500	3/4" SCH80(27.2 ϕ \times 3.9t)
P	Pipe Welding	H	1 1/2"(40A)	G	ANSI 600# FFSF	600	1/2" SCH160(21.7 ϕ \times 4.7t)
Q	Flange		2" (50A)	H	ANSI 600# RFSF		
				J	JIS 10K RF		
				K	JIS 10K FF		
				L	JIS 10K RFSF		
				M	JIS 20K RF		
				N	JIS 20K FF		
				P	JIS 20K RFSF		
				Q	JIS 30K RF		
				R	JIS 30K FF		
				S	JIS 30K RFSF		
				T	JIS 40K RF		
				U	JIS 40K FF		
				V	JIS 40K RFSF		
				W	JIS 40K RF		
				X	JIS 40K FF		
Z	Other	Z	Other	Z	Other		

A030BC1CDPAA000 SAMPLE ORDERING NUMBER

A030 : Syphon tube (1/2)

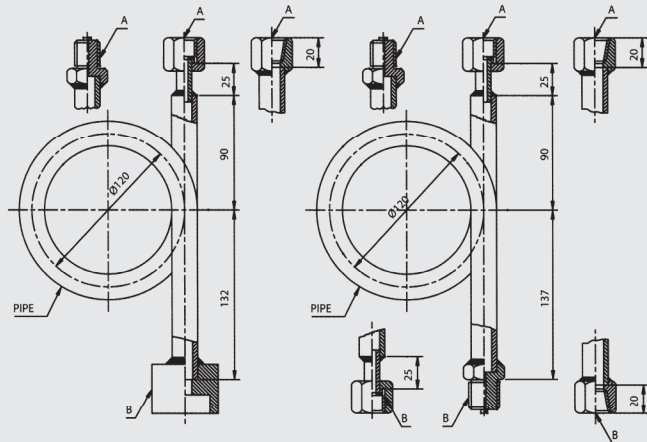
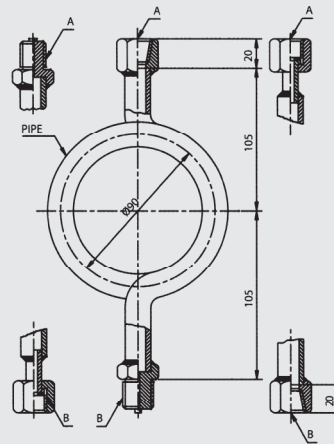
CODE B



(Pipe Welding)

(S.W <M>)

CODE C



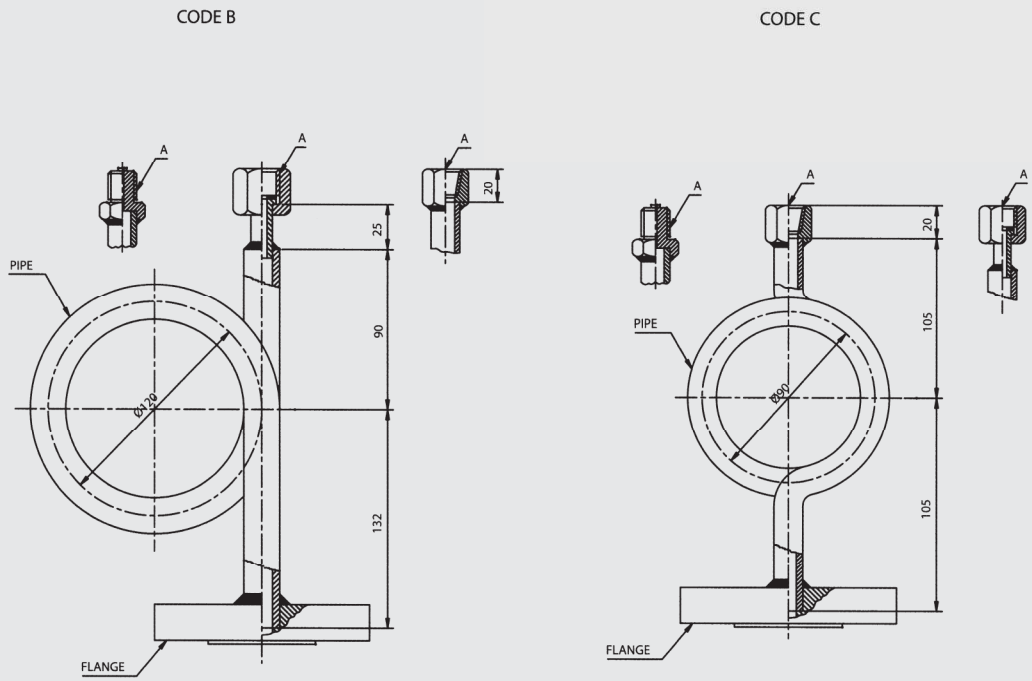
(S.W <F>)

(Thread)

Dimensions (mm)

CODE	PIPE	A	B
B B*	3/8" SCH40 (Ø17.3 X 2.3t) 3/8" SCH80 (Ø17.3 X 3.2t) 1/2" SCH40 (Ø21.7 X 2.8t) 1/2" SCH80 (Ø21.7 X 3.7t)	PF 3/8	P.E (M)
		PF 1/2	P.E (F)
		PT 3/8	PF 3/8
		PT 1/2	PF 1/2
		NPT 3/8	PT 3/8
		NPT 1/2	PT 1/2
C	Ø10.5 X 2.0t		NPT 3/8 NPT 1/2

A030 : Syphon tube (2/2)



Dimensions (mm)

CODE	PIPE	A	FLANGE RATING				
B	3/8" SCH40 (Ø17.3 X 2.3t) 3/8" SCH80 (Ø17.3 X 3.2t) 1/2" SCH40 (Ø21.7 X 2.8t) 1/2" SCH80 (Ø21.7 X 3.7t)	PF 3/8	JIS	10,16,20, 30,40K	15,20,25, 32,40,50A	FF	
						RF	
		PT 1/2		ANSI (JPI)	150,300LB	1/2,3/4,1, 1 1/4,1 1/2,2B	FF
							RF
NPT 3/8							
NPT 1/2							
C	Ø10.5 X 2.4t						

Memo

ACCESSORIES FOR PRESSURE GAUGE

A large, empty rectangular box with a thin black border, intended for writing a memo. It occupies the central portion of the page.