

Instrument valve Model : A080

WISE[®]

Service intended

It is used for switching flow between one common connection and the other two connections.
The instrument valve is applied to the pressure gauge and pressure transmitter.



Ordering information

BASE MODEL - 1st thru 4th characters

A080: Instrument valve

MAX. STATIC PRESSURE UP TO 25MPa

| 5th Character | | 6th Character | | 7th Character | | 8th Character | |
|---------------|-----------------|---------------|-----------------------|---------------|-----------------------|---------------|-------------------------|
| Code | Type | Code | Gauge Connection Type | Code | Gauge Connection Size | Code | Process Connection Type |
| S | Isolation valve | W | NPT(F) | 2 | 1/4" | W | NPT(F) |
| W | 2 way manifold | M | NPT(M) | 4 | 1/2" | M | NPT(M) |
| | | Z | Other | 9 | Other | Z | Other |

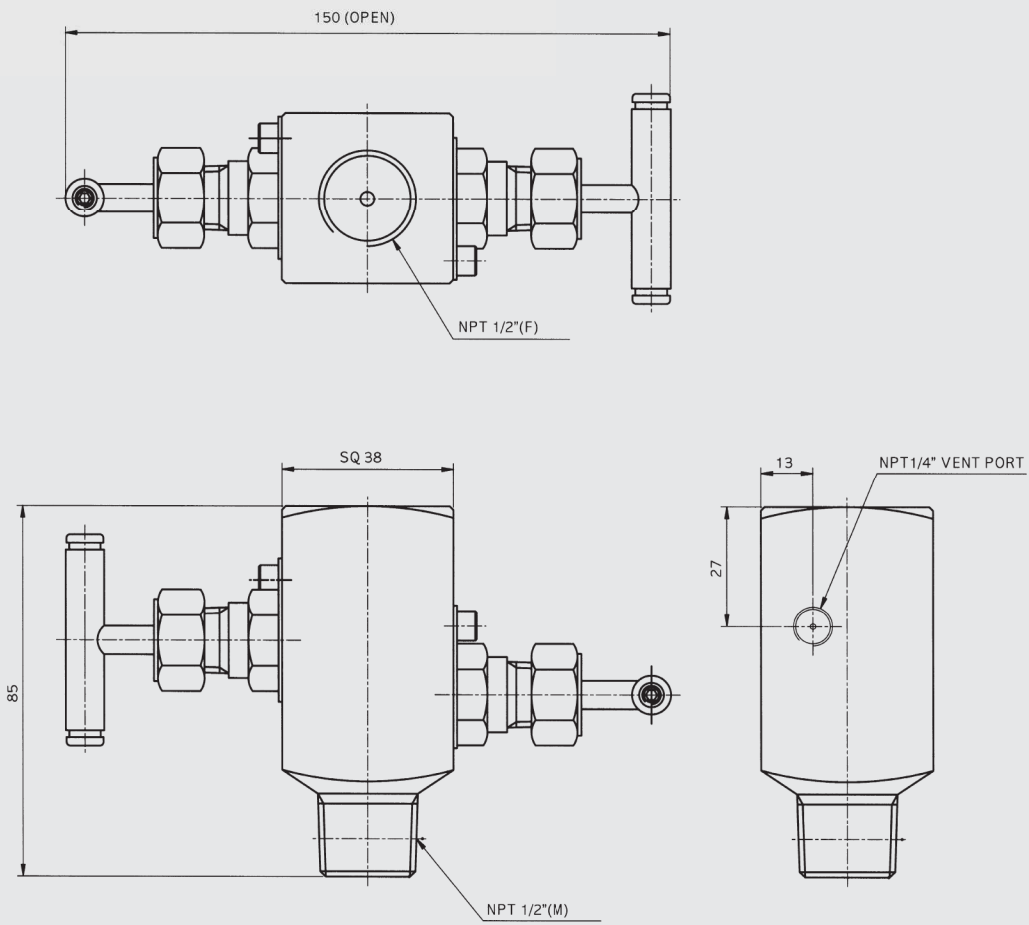
| 9th Character | | 10th Character | | 11th Character | | 12th Character | |
|---------------|-------------------------|----------------|------------------|----------------|-----------------|----------------|-------------------|
| Code | Process Connection Size | Code | Packing Material | Code | Bleed & Plug | Code | Bleed & Plug Size |
| 2 | 1/4" | T | PTFE | A | NONE | 1 | 1/4"NPT(F) |
| 4 | 1/2" | G | Graphite | B | Bleed | 2 | 1/2"NPT(F) |
| | | | | C | Bleed with Plug | 3 | No Bleed |
| | | | | | | 4 | M8 screw |
| Z | Other | | | | | Z | Other |

| 13th Character | | 14th Character | | 15th Character | |
|----------------|----------|----------------|-----------|----------------|--------|
| Code | Material | Code | Unused | Code | Unused |
| A | CS | X | All T Bar | O | |
| B | 316SS | | | | |
| C | 316LSS | | | | |
| D | MONEL | | | | |
| E | INCONEL | | | | |
| Z | Other | | | | |

ACCESSORIES FOR PRESSURE GAUGE

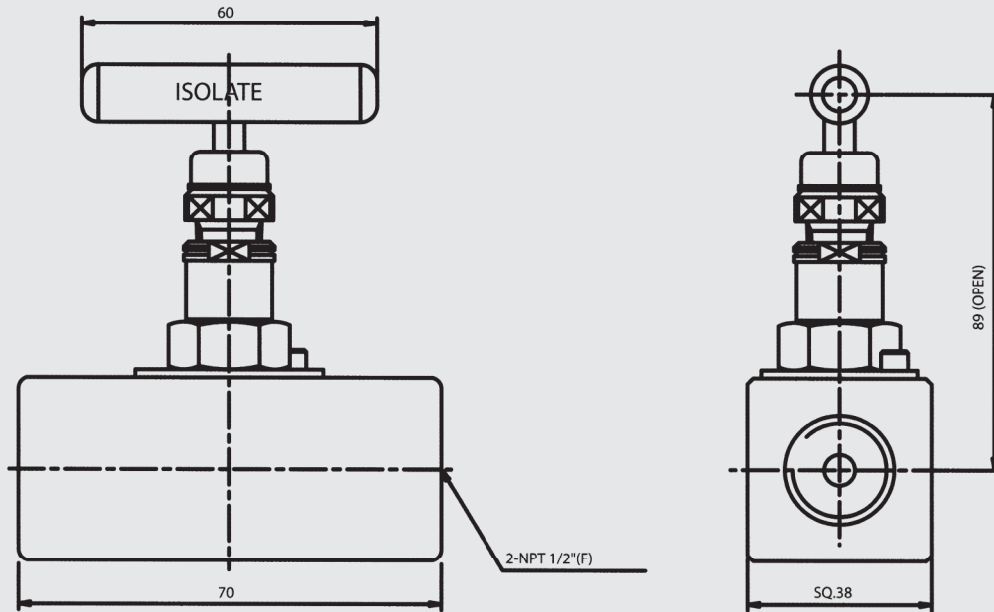
A080 : Type of mounting (1/2)

CODE W



A080 : Type of mounting (2/2)

CODE S



Memo

ACCESSORIES FOR PRESSURE GAUGE