

DUPLEX PRESSURE GAUGE
ROUND TYPE, MODEL : P336 SERIES
SQUARE TYPE, MODEL : P338 SERIES

WISE[®]

SERVICE INTENDED

The P336 & P338 Series included dual air brake systems, differential pressure indication or any other application where two independent pressures are indicated on one dial.

NOMINAL DIAMETER

100mm : P336
 110mm(W)×110mm(H) : P338

ACCURACY

±1.5% of Full Scale

SCALE RANGE (MPa, kPa, bar)

0 ~ 0.4 to 0 ~ 3.5MPa : P336
 0 ~ 1 and 0 ~ 1.2MPa : P338

WORKING PRESSURE

Steady : 75% of Full Scale
 Over Range Protection : 130% of Full Scale

WORKING TEMPERATURE

Ambient : -20 ~ 65°C
 Fluid : +200°C maximum



Standard Features

PRESSURE CONNECTION

Stainless Steel (316SS)

ELEMENT

Stainless Steel (316SS)

CASE

Black Finished Aluminium

COVER

Black Finished Aluminium (P336)
 ABS Resin (P338)

WINDOW

Glass

MOVEMENT

Brass

DIAL

White Aluminium with Black Graduations

POINTER

Aluminium alloy, Black painted

PROCESS CONNECTION

3/8" PF

ORDERING INFORMATION

BASE MODEL

P336 : DUPLEX PRESSURE GAUGE, ROUND TYPE

P338 : DUPLEX PRESSURE GAUGE, SQUARE TYPE

NOMINAL DIAMETER

- 4 : 100mm, Round Type
- 9 : 110mm(W)×110mm(H), Square Type

MOUNTING TYPE (Refer to Mounting type & Dimension)

- A : Bottom Connection, Direct, Only available with Round Type
- B : Bottom Connection, Surface, Case Mounting Plate, Only available with Round Type
- E : Bottom Connection, Surface, Case Mounting Plate, Only available with Round Type
- G : Lower Back Connection, Direct
- M : Lower Back Connection, Flush, Case Center Mounting Bracket, Only available with Round Type

ACCURACY

- 4 : ±1.5% of Full Scale.

CONNECTION

- D : 3/8"

CONNECTION TYPE

- B : PF

UNIT

- I : MPa
- J : kPa
- H : bar

RANGE

- 044 : 0~0.4MPa, Not available with Square Type
- 045 : 0~0.6MPa, Not available with Square Type
- 047 : 0~1MPa
- 049 : 0~1.2MPa, Only available with Square Type
- 050 : 0~1.5MPa, Not available with Square Type
- 051 : 0~2MPa, Not available with Square Type
- 052 : 0~2.5MPa, Not available with Square Type
- 054 : 0~3.5MPa, Not available with Square Type

DIAL COLOR

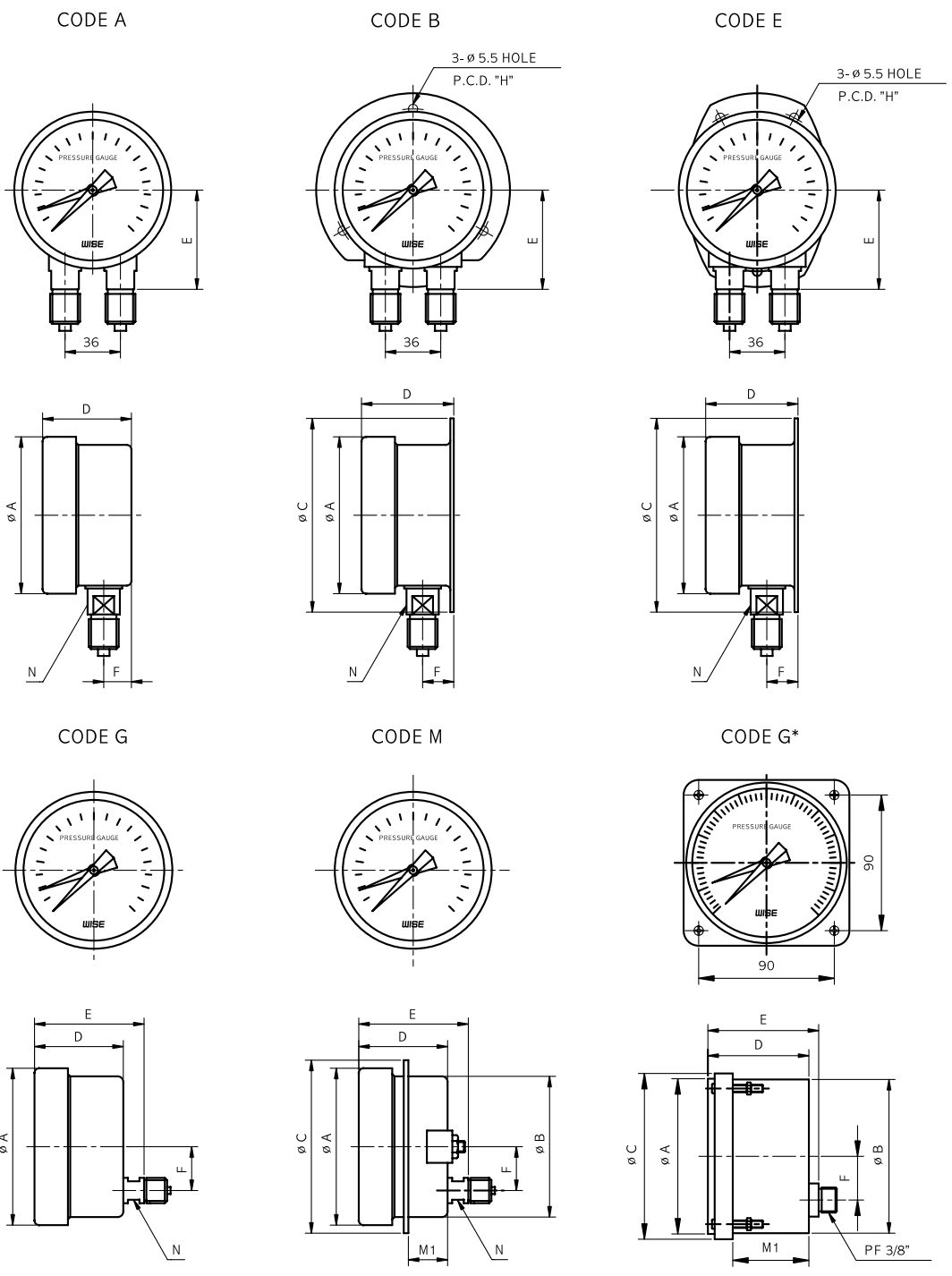
- 2 : 2 Colors
- Z : 3 Colors, Only available with Square Type

OPTIONS

- 0 : None
- 1 : Accessories

P336	4	A	4	D	B	I	044	2	0	SAMPLE MODEL NUMBER
------	---	---	---	---	---	---	-----	---	---	---------------------

P336, P338 : TYPE OF MOUNTING



Dimensions (mm)

DIAL SIZE	AVAILABLE CODE	A	B	C	D	E	F	H	M1	N	
100	P336	A	126		73	69.5	19			14	
		B	126		136	73	69.5	19	120	14	
		E	126		136	73	69.5	19	120	14	
		G	126			73	90	29			14
		M	126	110	130	73	90	29		45	14
ø 110	P338	G*	103	102	110	70.5	73.5	29		40.5	

CONVERSION TABLE

PRESSURE CONVERSION CHART								
PSI	ATM	kg/cm ²	in.H ₂ O	mmHg	in.Hg	kPa	Bar	mmH ₂ O
1	0.068046	0.070307	27.7276	51.715	2.03602	6.895	0.06895	704.28104
14.696	1	1.0332	407.484	760	29.921	101.325	1.01325	10350.0936
14.2233	0.96784	1	394.38	735.559	28.959	98.096	0.98067	10000
0.036092	0.002454	0.00253	1	1.8651	0.07343	0.249	0.00249	25.4
0.019336	0.001315	0.001359	0.53616	1	0.03937	0.1333	0.001333	13.618464
0.491154	0.0033421	0.03453	13.6185	25.4	1	3.3864	0.033864	345.9099
0.145	0.00987	0.010197	4.0186	7.5006	0.2953	1	0.01	102.07244
14.5038	0.98692	1.01972	402.156	750.062	29.53	100	1	10214.7624
0.00142	0.000097	0.0001	0.03937	0.0734	0.0029	0.0098	0.000098	1

VOLUME CONVERSION CHART							
GALLON (U.S)	CUBIC FEET	CUBIC INCHES	BARRELS (OIL)	CUBIC CM	CUBIC METER	LITER	IMP. GALLON
1	0.1337	231	0.02381	3785	0.003785	3.785	0.8327
7.481	1	1728	0.1781	28320	0.02832	28.32	6.229
0.004329	0.000578	1	0.000103	16.39	0.000016	0.01639	0.003605
42	5.615	9702	1	159000	0.159	158.94	34.97
0.000264	0.000035	0.06102	0.000006	1	0.000001	0.001	0.00022
264.17	35.3144	61023	6.2906	1000000	1	1000	220.1
0.264	0.0353	61.03	0.0629	1000	0.001	1	0.22
1.201	0.1606	277.4	0.0286	4546	0.004546	4.546	1

MASS CONVERSION CHART							
lb.	oz.	kg	gm	gal H ₂ O (32F)	long ton	metric tonne	ton
1	16	0.4536	453.6	0.1198	0.000446	0.000453	0.0005
0.0625	1	0.02835	28.35	0.00749	0.000027	0.000028	0.000031
2.205	35.27	1	1000	0.2642	0.009839	0.001	0.001102
0.002205	0.03527	0.001	1	0.000264	0.000000	0.000001	0.000001
8.345	133.5	3.785	3785	1	0.003726	0.003786	0.004171
2240	35840	1016.4	1016363	268.352	1	1.016	1.12
2204.6	35273	1000	1000000	264.11	0.9842	1	1.1023
2000	32000	907.03	909090.9	239.7	0.892857	0.907194	1

DENSITY CONVERSION CHART			
lb/ft ³	gm/cm ³	kg/m ³	lb/in ³
1	0.016018	16.0184	0.000578
62.43	1	1000	0.03613
0.06243	0.001	1	0.000036
1728	27.68	27679.8	1