

DRAFT GAUGE MODEL : P410, P420 SERIES

WISE®

SERVICE INTENDED

P410, P420 Series are designed to measure low, vacuum or compound pressure. These series are available in panel mounting.

NOMINAL DIAMETER

192mm(W) × 96mm(H)
& 96mm(W) × 192mm(H)

ACCURACY

±2.0% of Full Scale

SCALE RANGE (MPa, kPa, bar)

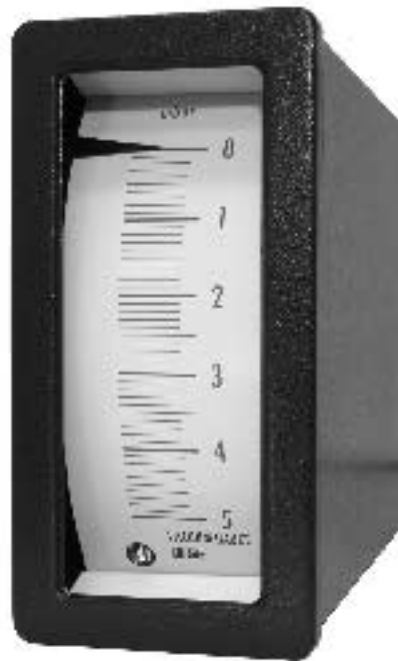
Vacuum : -1 ~ 0 to -0.5 ~ 0kPa
Compound : -0.2 ~ 0.2 to -5 ~ 5kPa
Pressure : 0 ~ 0.5 to 0 ~ 10kPa

WORKING PRESSURE

Steady : 75% of Full Scale
Over Range Protection : 130% of Full Scale

WORKING TEMPERATURE

Ambient : -10 ~ 65°C
Fluid : -10 ~ 80°C



Standard Features

PRESSURE CONNECTION

Stainless Steel (316SS)

ELEMENT

Stainless Steel (316SS)

CASE

Black Finished Steel : P410
Black Finished 304SS : P420

MOVEMENT

Brass

WINDOW

P410 : Acryl
P420 : Safety Glass

DIAL

White Aluminium with
Black Graduations

POINTER

PBs2 alloy, Black painted

CONNECTION

3/8", 1/2" PT, NPT & PF

ORDERING INFORMATION

BASE MODEL

P410 : SQUARE TYPE LOW PRESSURE GAUGE, BLACK FINISHED STEEL CASE

P420 : SQUARE TYPE LOW PRESSURE GAUGE, STAINLESS STEEL CASE

NOMINAL DIAMETER

9 : 192mm(W)×96mm(H) & 96mm(W) ×192mm(H)

MOUNTING TYPE

P : Horizontal Mounting
R : Vertical Mounting

ACCURACY

5 : ±2.0% of Full Scale.

CONNECTION

D : 3/8"
E : 1/2"

CONNECTION TYPE

B : PF
 C : PT
 D : NPT
Z : OTHER

UNIT

J : kPa
S : mbar

RANGE

Refer to Pressure Unit & Range Table

PRESSURE CONNECTION & MAT'L & DIALS

3 : 316SS & 2 Colors
Z : 316SS & 3 Colors, Available with Compound Gauge

OPTIONS

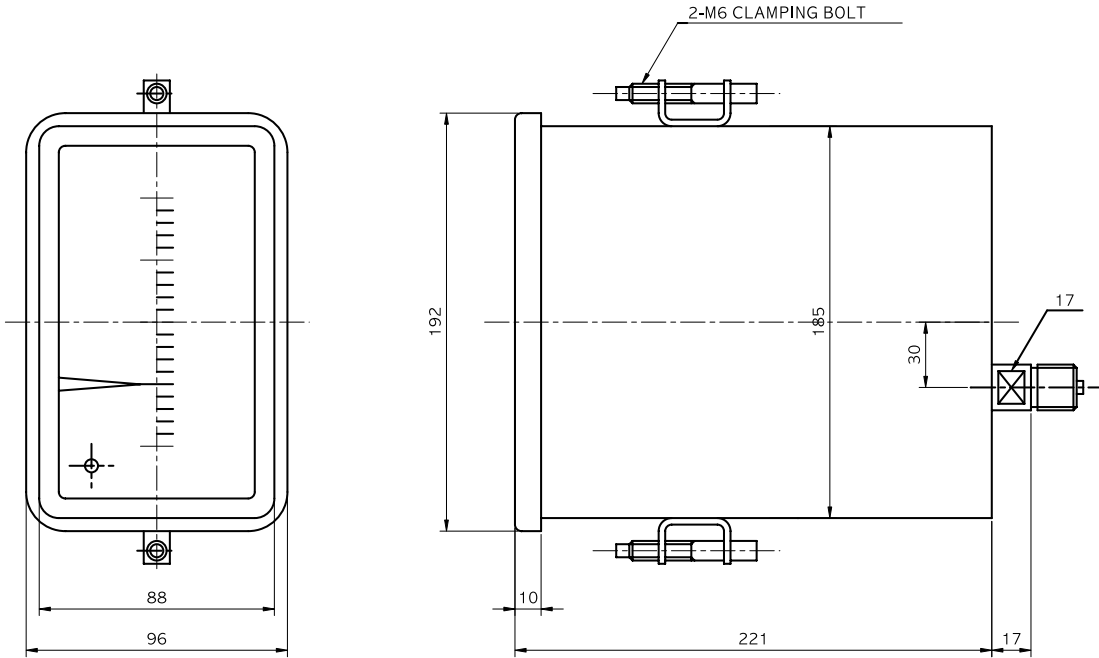
0 : None
1 : Accessories



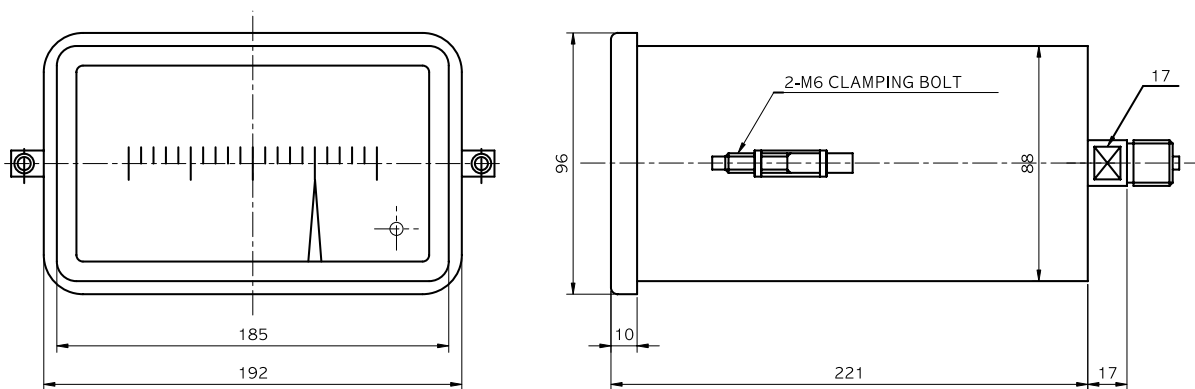
SAMPLE MODEL NUMBER

P410, P420 : TYPE OF MOUNTING

CODE R



CODE P



PRESSURE UNIT & RANGE TABLE

RANGE & CODE	UNIT & CODE		MODEL NO.
	S : mbar	J : kPa	P410 & P420
004	-100~0	-10~0	○
006	-50~0	-5~0	○
008	-30~0	-3~0	○
009	-20~0	-2~0	○
010	-10~0	-1~0	○
011	-5~0	-0.5~0	○
014	-50~50	-5~5	○
018	-30~30	-3~3	○
020	-20~20	-2~2	○
022	-10~10	-1~1	○
023	-5~5	-0.5~0.5	○
024	-3~3	-0.3~0.3	○
025	-2~2	-0.2~0.2	○
055	0~5	0~0.5	○
058	0~10	0~1	○
061	0~20	0~2	○
063	0~30	0~3	○
066	0~50	0~5	○
070	0~100	0~10	○

○ : AVAILABLE × : NOT AVAILABLE