

PRESSURE INDICATING SWITCH MODEL : P535, P536 SERIES

WISE®

SERVICE INTENDED

P535 and P536 Series indicating Pressure Switch are micro contact type, suitable for corrosive fluid and high pressure measurement. Deadband is fixed.

NOMINAL DIAMETER

100 and 150mm

REPEATABILITY

±1.0% of Adjustable Range

ADJUSTABLE RANGE (MPa, kPa, bar)

-0.1 ~ 0 to -0.1 ~ 2MPa
0 ~ 0.1 to 0 ~ 35MPa

ACCURACY

Indicator : ±1.5% F.S

Alarm Setting : ±3.0% of F.S



Standard Features

PRESSURE CONNECTION

Stainless Steel (316SS)

ELEMENT

C Type Bourdon Tube
Stainless Steel (316SS)

CASE & COVER

AC7A-F, Silver Gray Painted for 150mm
AC7A-F, Black Painted for 100mm

CONTACT

Micro Contact Type
One SPDT or Two SPDT
One DPDT

CONTACT RATING

150mm -AC 125V/250V, 15A and DC 30V, 2A
DC 125V, 0.5A for Resistance Load
-AC 125V/250V, 15A and DC 30V, 1A
DC 125V, 0.05A for Inductive Load
100mm AC 250V, 3A
AC 125V, 5A
DC 250V, 0.2A
DC 125V, 0.4A
DC 30V, 4A

PROCESS CONNECTION

3/8", 1/2" PT, NPT and PF

CONDUIT CONNECTION

150mm : 3/4" PF
100mm : M20×1.5P

ORDERING INFORMATION

BASE MODEL

P535 : INDICATING PRESSURE SWITCH (SINGLE SET POINT)

P536 : INDICATING PRESSURE SWITCH (DUAL SET POINT)

NOMINAL DIAMETER

- 4 : 100mm
- 6 : 150mm

MOUNTING

- A : Bottom Connection, Direct, Only available with Diameter 100mm
- B : Bottom Connection, Surface, Case Mounting Plate
- L : Lower Back Connection, FLush, Case Center Mounting Plate, Only available with Diameter 100mm

UNUSED CHARACTER

4

PROCESS CONNECTION

- D : 3/8"
- E : 1/2"

CONNECTION TYPE

- B : PF
- C : PT
- D : NPT

UNIT

- I : MPa
- J : kPa
- H : bar

RANGE

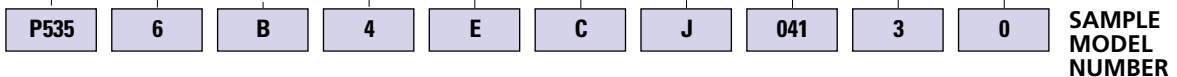
Refer to Pressure Range Table

DIAL COLOR

- 3 : 2 Colors
- Z : 3 Colors, Available with Compound and Vacuum gauges

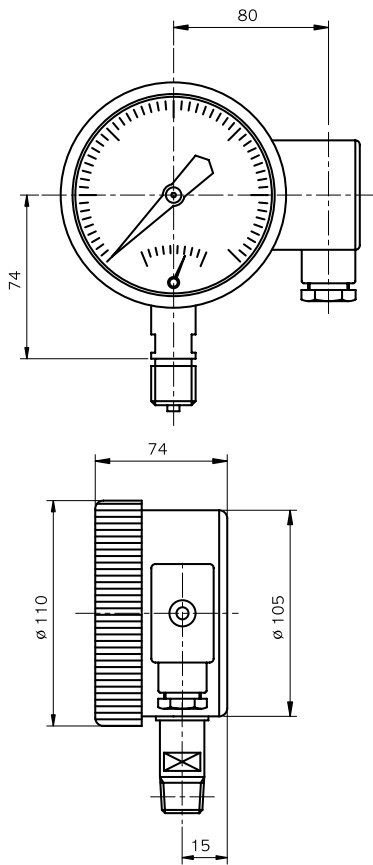
OPTIONS

- 0 : None
- 1 : Accessories

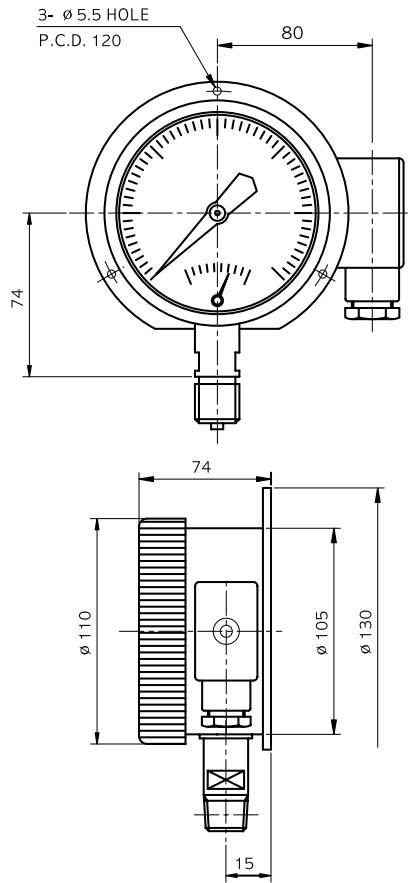


P535, P536 : TYPE OF MOUNTING

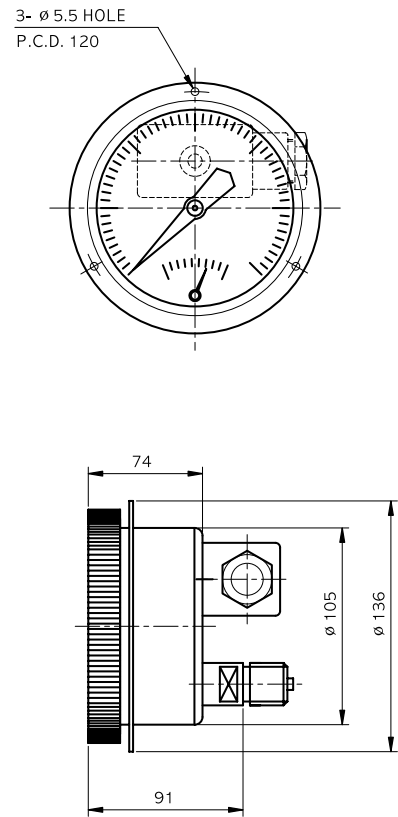
CODE A (∅ 100)



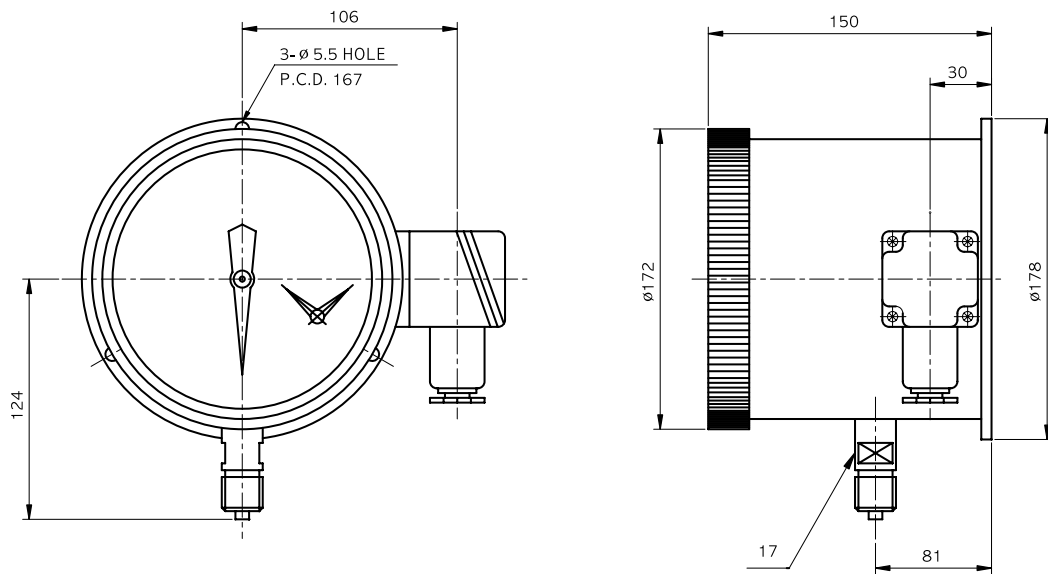
CODE B (∅ 100)



CODE L (∅ 100)



CODE B* (∅ 150)



PRESSURE UNIT & RANGE TABLE

RANGE & CODE	UNIT & CODE			MODEL NO.	
	H : bar	I : MPa	J : kPa	P535	P539
026	-1	-0,1	-100	○	○
040	0,5	0,05	50	×	×
041	1	0,1	100	○	○
133	1,6	0,16	160	○	○
042	2	0,2	200	○	○
134	2,5	0,25	250	○	○
043	3	0,3	300	○	○
044	4	0,4	400	○	○
045	6	0,6	600	○	○
047	10	1	1000	○	○
050	15	1,5	-	○	○
143	16	1,6	-	○	○
051	20	2	-	○	○
052	25	2,5	-	○	○
054	35	3,5	-	○	○
151	40	4	-	○	○
055	50	5	-	○	○
056	60	6	-	○	○
057	70	7	-	○	○
058	100	10	-	○	○
059	150	15	-	○	○
060	160	16	-	○	○
062	250	25	-	○	○
064	350	35	-	○	○
065	400	40	-	○	○
027	+1	+0,1	+100	○	○
127	-1~1,6	-0,1~0,16	-100~160	○	○
028	-1~2	-0,1~0,2	-100~200	○	○
129	-1~2,5	-0,1~0,25	-100~250	○	○
029	-1~3	-0,1~0,3	-100~300	○	○
030	-1~4	-0,1~0,4	-100~400	○	○
010	-1~5	-0,1~0,5	-100~500	○	○
031	-1~6	-0,1~0,6	-100~600	○	○
014	-1~9	-0,1~0,9	-100~900	○	○
032	-1~10	-0,1~1	-100~1000	○	○
033	-1~15	-0,1~1,5	-100~1,5MPa	○	○
034	-1~20	-0,1~2	-100~2MPa	○	○
035	-1~25	-0,1~2,5	-100~2,5MPa	○	○

○ : AVAILABLE × : NOT AVAILABLE