

Unijin Diaphragm Seals Pressure Gauge are designed with elastic sensing diaphragm element with concentric corrugations that drives and transmit the internal pressure to cause movement. These models are specially used for measure pressure, vacuum and compound of viscous, sedimentous, crystallize or corrosive fluid, compare to the bourden tube system gauges, these models are more robust and better able to withstand over pressure or aggressive fluids. The diaphragm is welded to the upper flange to avoid the oil leak and serviceable for easy maintenance.

Standard Specification

Model : **P711, P721, P731**
 P712, P722, P732 (Completed with 3 meters capillary)
 Pressure Gauge Model : P110, P252, P253, P258, P259 & P510 Series
 Dial Size : 2 1/2" (63mm), 4" (100mm) & 6" (150mm)
 Degree Protection : Refer to gauge model

Diaphragm Seals Unit

Upper Flange : SS304
 Diaphragm : SS316L
 Diaphragm Gasket : PTFE
 Under Flange (Process Side) : SS304, SS316 and SS316+PTFE Coated
 Working Pressure : Max 100% of FS
 Ambient Temperature : -20 ~ 60°C
 Process Temperature : -20 ~ 200°C
 Diaphragm Oil Filling : Silicon Oil

Optional

Diaphragm and under flange are available in PTFE lining
 Micro adjustable pointer
 Glycerine or silicon oil filled gauge
 Capillary Length

DIAPHRAGM SEALS PRESSURE GAUGE

MODEL

P711 (DIRECT SCREWED PROCESS CONNECTION)
P721 ("I" TYPE FLANGE PROCESS CONNECTION)
P731 (FLANGE TYPE PROCESS CONNECTION)
P712 (DIRECT SCREWED PROCESS CONNECTION WITH REMOTE CAPILLARY)
P722 ("I" TYPE FLANGE PROCESS CONNECTION WITH REMOTE CAPILLARY)
P732 (FLANGE TYPE PROCESS CONNECTION WITH REMOTE CAPILLARY)

GAUGE MODEL & MOUNTING TYPE

P110 (General purpose pressure gauge)
P252 (Industrial pressure gauge-Dry)
P253 (Stainless steel case with internal brass pressure gauge-Dry)
P258 (Industrial pressure gauge-Oil)
P253 (Stainless steel case with internal brass pressure gauge-Oil)
P510 (Electric contact pressure gauge)

DIAL SIZE

2 1/2" (63mm)
4" (100mm)
6" (150mm)

RANGE (REFER PRESSURE TABLE)

STANDARD CONNECTION TYPE

1/2 BSPT / NPT (4" Dial)
Flange standard

SAMPLE OF ORDERING

P731

P252A

4"

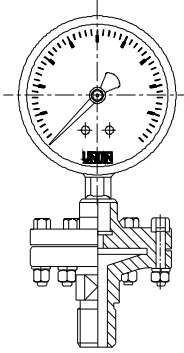
0~10K

1" JIS 10K

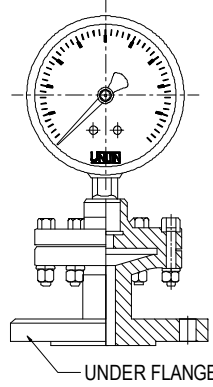
QUALITY INSTRUMENTATION – your best application with cost saving

DIAPHRAGM SEALS PRESSURE GAUGE

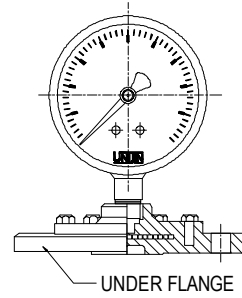
CODE 711



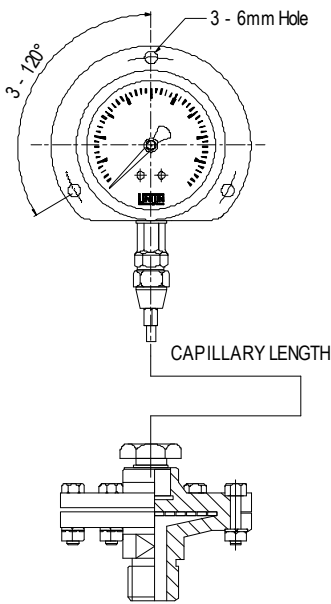
CODE 721



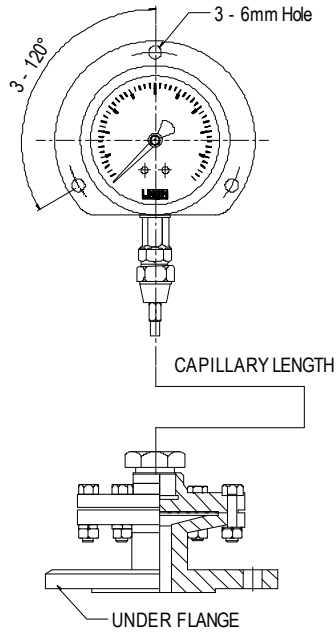
CODE 731



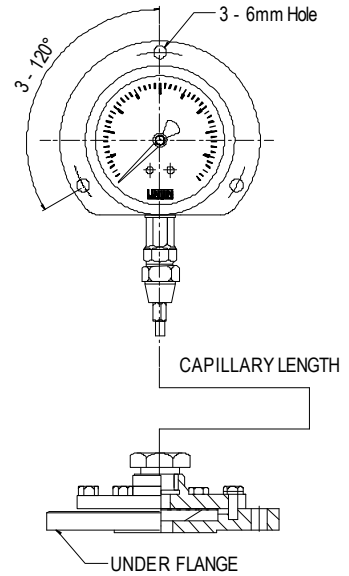
CODE 712



CODE 722



CODE 732



QUALITY INSTRUMENTATION – your best application with cost saving

DIAPHRAGM SEALS PRESSURE GAUGE

STANDARD AVAILABLE RANGES

GAUGE	RANGE (Kgf/cm ² / psi)	DIAL SIZE		
		2"	4"	6"
VACUUM	-76cmHg ~ 0 (-30"Hg)	○	○	○
COMPOUND	-76cmHg ~ 1 Kgf/cm ² (5 psi)	○	○	○
	-76cmHg ~ 2 Kgf/cm ² (30 psi)	○	○	○
	-76cmHg ~ 3 Kgf/cm ² (45 psi)	○	○	○
	-76cmHg ~ 4 Kgf/cm ² (60 psi)	○	○	○
	-76cmHg ~ 7 Kgf/cm ² (100 psi)	○	○	○
	-76cmHg ~ 10 Kgf/cm ² (150 psi)	○	○	○
	-76cmHg ~ 15 Kgf/cm ² (200 psi)	○	○	○
	-76cmHg ~ 20 Kgf/cm ² (300 psi)	○	○	○
PRESSURE	0 ~ 1 Kgf/cm ² (15 psi)	○	○	○
	0 ~ 2 Kgf/cm ² (30 psi)	○	○	○
	0 ~ 3 Kgf/cm ² (45 psi)	○	○	○
	0 ~ 4 Kgf/cm ² (60 psi)	○	○	○
	0 ~ 6 Kgf/cm ² (80 psi)	○	○	○
	0 ~ 7 Kgf/cm ² (100 psi)	○	○	○
	0 ~ 10 Kgf/cm ² (150 psi)	○	○	○
	0 ~ 15 Kgf/cm ² (200 psi)	○	○	○
	0 ~ 20 Kgf/cm ² (300 psi)	○	○	○
	0 ~ 25 Kgf/cm ² (350 psi)	○	○	○
	0 ~ 30 Kgf/cm ² (400 psi)	○	○	○
	0 ~ 35 Kgf/cm ² (500 psi)	○	○	○
	0 ~ 40 Kgf/cm ² (600 psi)	○	○	○
	0 ~ 50 Kgf/cm ² (700 psi)	○	○	○
	0 ~ 60 Kgf/cm ² (900 psi)	○	○	○
	0 ~ 70 Kgf/cm ² (1000 psi)	○	○	○
	0 ~ 100 Kgf/cm ² (1500 psi)	○	○	○
	0 ~ 150 Kgf/cm ² (2000 psi)	○	○	○
	0 ~ 250 Kgf/cm ² (3800 psi)	○	○	○
	0 ~ 300 Kgf/cm ² (600 psi)	○	○	○
0 ~ 350 Kgf/cm ² (700 psi)	○	○	○	
0 ~ 400 Kgf/cm ² (900 psi)	X	X	X	
0 ~ 500 Kgf/cm ² (1000 psi)	X	X	X	
0 ~ 600 Kgf/cm ² (1500 psi)	X	X	X	
0 ~ 750 Kgf/cm ² (2000 psi)	X	X	X	
0 ~ 1000 Kgf/cm ² (3800 psi)	X	X	X	

X : Not Available ○ : Available

Note: P721, P722, P731 & P732 only available for max 40kgf/cm² / psi

**Note: Due to ongoing and development, technical information could changed without notice
QUALITY INSTRUMENTATION – your best application with cost saving

