

UNIJIN® BIMETAL THERMOMETER WITH BOTTOM ENTRY

Model : T120

Service Intended

T120 models is used for direct indicating by measuring temperature of gas or liquid fluid. It can apply to industrial plants such as Oil Refinery, Sugar Refinery, Chemical and Glove Plant, Food Industries, Refrigeration, general industry and etc. This is suitable on resistance to corrosive atmosphere and exceptionally climatic circumstance.

Standard Specification

Accuracy

±2.0% of Full Scale / ±1.0% of Full Scale (option)

Working Range

Max 100% of Full Scale

IP Protection

IP 55

Zero Adjustment

At Pointer after remove the Cover

Location Of Stem

Bottom Connection, Direct

Temperature Element

Coiled Bimetal

Material

Case & Cover : SS304 / SS316 (option) - Bayonet lock
 Window : Glass / Tempered Glass (option)
 Pointer : Aluminium with black coated
 Dial : Silver Aluminium with Black Graduations
 Connection : SS304 / SS316 (option)
 Stem : SS304 / SS316 (option)



Thermometer Ordering Information

Model

T120

Dial Size

63mm(2.1/2")/75mm(3")/100mm(4")/150mm(6")

Scale Range (°C & °F)

-30+50, 0+60, 0+100, 0+120, 0+150, 0+200, 0+250, 0+300, 0+400, 0+500
 Others on request.

Stem Length - L (mm)

60, 80, 100, 150, 230, 250, max 1000mm

Stem Diameter

Ø6.0mm/Ø8.0mm/Ø9.0mm

Connection Type/Size

Non-Threaded
 1/4", 3/8", 1/2" NPT / BSPT - Sliding Thread/Cap and Swivel Nut
 3/8", 1/2", 3/4" NPT / BSPT - Fixed Thread
 1/4", 3/8", 1/2" NPT/BSPT - Swivel Thread

Options

Thermowell

Example of Order

Model

T120

Dial Size

4"

Range

0 ~ 200°C / °F

Stem Length/OD

150mmL / Ø6.0mm

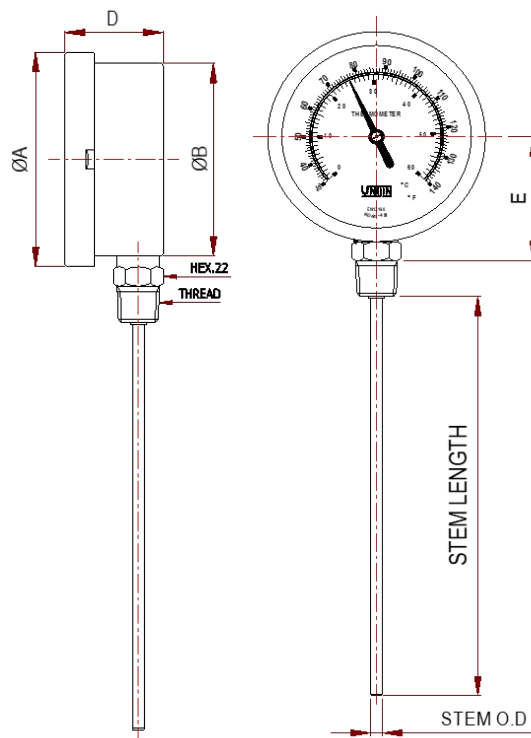
Connection

1/2" NPT-FIXED

Options

SS316 threaded
 Thermowell

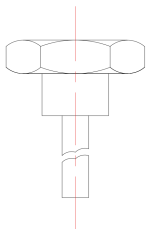
Basic Dimensions



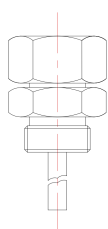
Unit : mm

	Ø63	ø 75	Ø100	ø 150
A	70.7	84.2	110.8	160.7
B	64.0	75.0	99.4	149.0
E	47.1	53.9	67.2	92.0
D	36.0	45.5	50.5	53.0
STEM O.D	6.0 / 8.0 / 9.0	6.0 / 8.0 / 9.0	6.0 / 8.0 / 9.0	6.0 / 8.0 / 9.0
STEM LENGTH	60 ~ 1000	60 ~ 1000	60~1000	60 ~ 1000

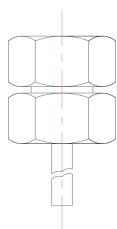
Connection Type



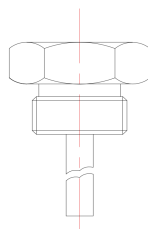
Non-threaded



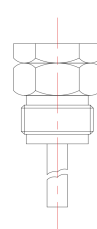
Sliding and Swivel Thread



Sliding and Swivel Cap



Fixed Thread



Swivel Thread