

UNIJIN® FREE ANGLE BI-METAL THERMOMETER

Model : T190

Service Intended

T190 models is used for direct indicating by measuring temperature of gas or liquid fluid. It can apply to industrial plants such as Oil Refinery, Sugar Refinery, Chemical and Glove Plant, Food Industries, Refrigeration, general industry and etc. This is suitable on resistance to corrosive atmosphere and exceptionally climatic circumstance.

Standard Specification



Accuracy

±2.0% of Full Scale / ±1.0% of Full Scale (option)

Working Range

Max 100% of Full Scale

IP Protection

IP 65

Zero Adjustment

External at the back of Case

Location Of Stem

Centre Back with Adjustable Stem 90°

Temperature Element

Coiled Bimetal

Material

Case & Cover : SS304 / SS316 (option) - Bayonet Type

Window : Mineral/ Tempered Glass (option)

Pointer : Aluminium with black coated

Dial : Silver Aluminium with Black Graduations

Connection : SS304 / SS316 (option)

Stem : SS304 / SS316 (option)

Thermometer Ordering Information

Model

T190

Dial Size

100mm(4")/150mm(6")

Scale Range (°C & °F)

-30+50, 0+60, 0+100, 0+120, 0+150, 0+200, 0+250, 0+300, 0+400, 0+500
Others on request.

Stem Length - L (mm)

80,100,150,230 ,250, max 1000mm

Stem Diameter

Ø6.0mm/Ø8.0mm/Ø9.0mm

Connection Type/Size

Non-Threaded

1/4",3/8",1/2"NPT / BSPT - Sliding Thread/Cap and Swivel Nut

3/8",1/2",3/4" NPT / BSPT - Fixed Thread

1/4",3/8",1/2"NPT/BSPT - Swivel Thread

Options

Thermowell, Liquid Filled

Example of Order

Model

T190

Dial Size

4"

Range

0 ~ 200°C /°F

Stem Length/OD

150mmL / Ø6.0mm

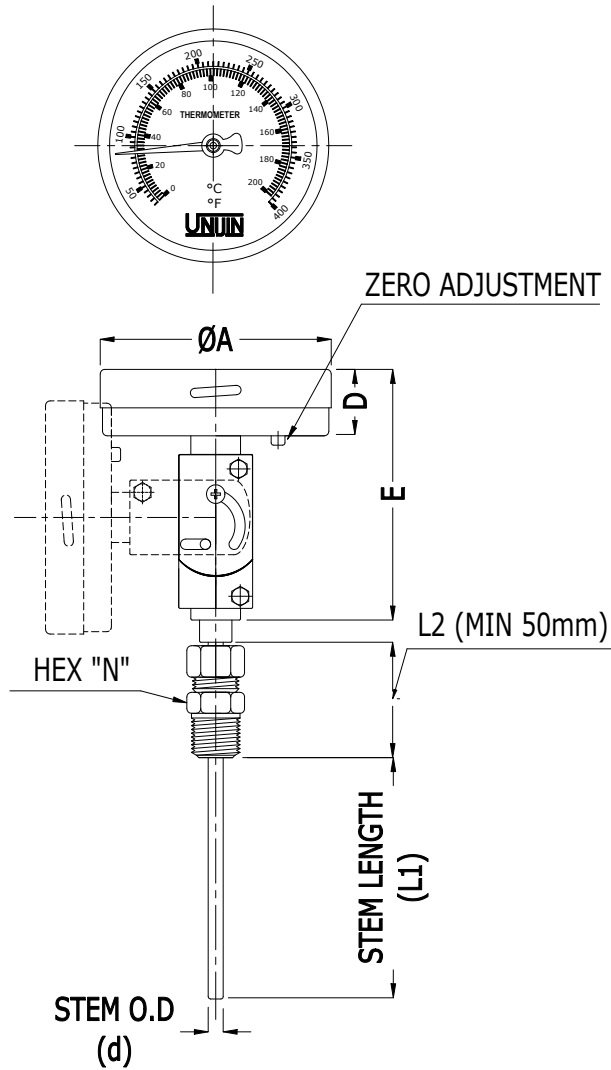
Connection

1/2" NPT-FIXED

Options

SS316 threaded
Thermowell

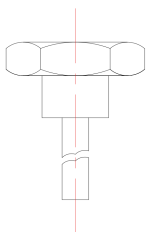
Basic Dimensions



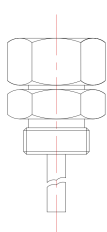
Unit : mm

	ø100	ø 160
A	100	160.60
D	28.5	28.5
E	107.5	107.5
STEM LENGTH L1	60 ~ 1000	60 ~ 1000
STEM O.D (d)	6.0 / 8.0 / 9.0	6.0 / 8.0 / 9.0
N	27.0	27.0

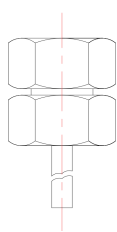
Connection Type



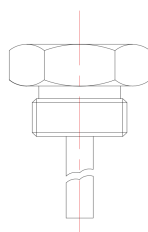
Non-threaded



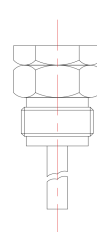
Sliding and Swivel Thread



Sliding and Swivel Cap



Fixed Thread



Swivel Thread